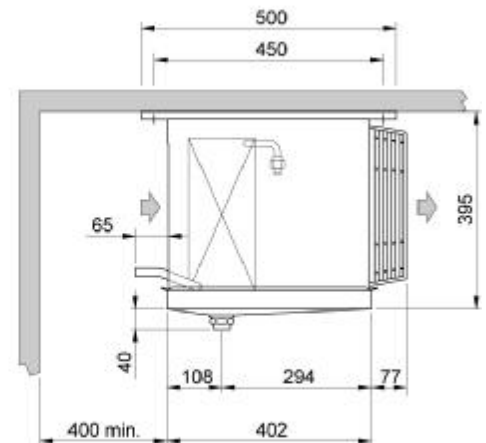
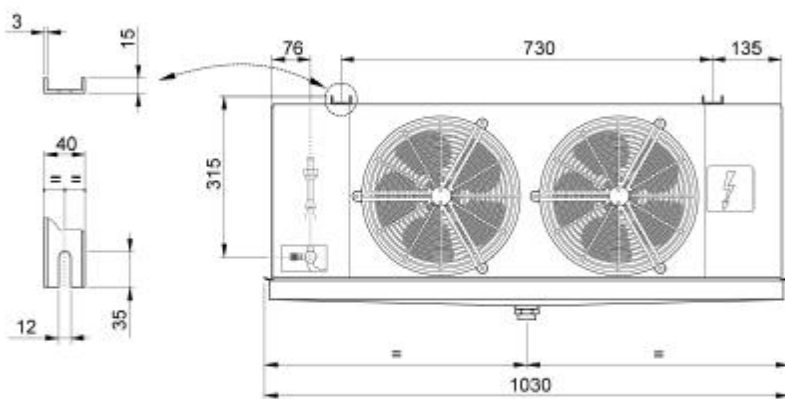


Air inlet temperature	°C	0	Evaporating temperature	°C	-10,0
TD	°C	10,0	Refrigerant		R404A
Min number of units in room		1			

Heat exchanger	Standard	Casing	Standard
Motorfans feed	Standard	Fan motors	Standard
Defrost	Electric		

Selected model: 1 x CTE 41M6 ED

Capacity	kW	3,011			
TD	°C	10,0	Tot. air flow	m3/h	1640



Weight	kg	24,600			
Internal surface	m2	1,41	External surface	m2	8,88
Input connection		1/2" SAE	Output connection		22 mm
Total circuit capacity	dm3	2,89	Fin spacing	mm	6
Drain connection		1" GAS			
Defrost	ED	Electric	Fan	Watt	1275
Fan	n.	2	Diameter	mm	250
Air flow	m3/h	1640	Air throw	m	10,0
Feed	V	230/1/50-60	Fan speed	rpm	1300
Fan	A	0,94	Total power	Watt	150
Tot. Pres.S.Lev. 10 m.	dB(A)	34			

N.B.: we shall not be liable for the performances and the quality of sold products, if fitted or connected to fan motor speed regulation or control systems that are different from the ones proposed or installed by us.