

User

Kubitech S.R.L.

Verification Unit cooler

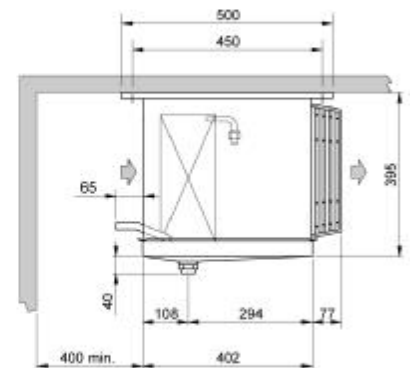
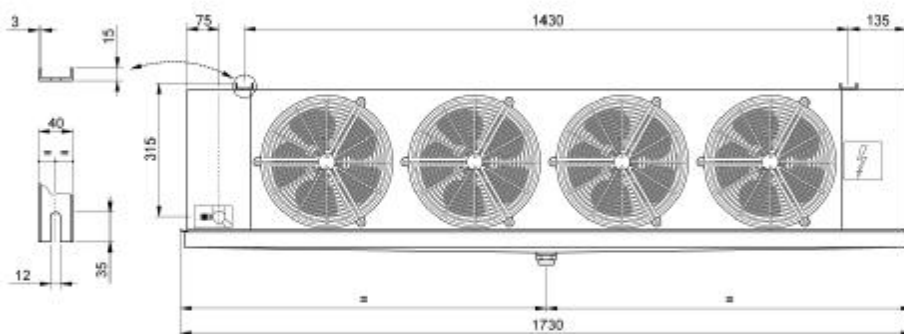
vineri.17.03.2017

Air inlet temperature	°C	0	Evaporating temperature	°C	-10,0
TD	°C	10,0	Refrigerant		R404A
Min number of units in room		1			

Heat exchanger	Standard	Casing	Standard
Motorfans feed	Standard	Fan motors	Standard
Defrost	Electric		

Selected model: 1 x CTE 115M6 ED

Capacity	kW	7,536			
TD	°C	10,0	Tot. air flow	m3/h	3000



Weight	kg	44,700			
Internal surface	m2	4,22	External surface	m2	26,63
Input connection		1/2" SAE	Output connection		28 mm
Total circuit capacity	dm3	8,35	Fin spacing	mm	6
Drain connection		1" GAS			
Defrost	ED	Electric		Watt	2400
Fan	n.	4	Diameter	mm	250
Air flow	m3/h	3000	Air throw	m	13,0
Feed	V	230/1/50-60	Fan speed	rpm	1300
Fan	A	1,88	Total power	Watt	300
Tot. Pres.S.Lev. 10 m.	dB(A)	37			

N.B.: we shall not be liable for the performances and the quality of sold products, if fitted or connected to fan motor speed regulation or control systems that are different from the ones proposed or installed by us.