

User

www.frigotehnie.ro

Verification Unit cooler

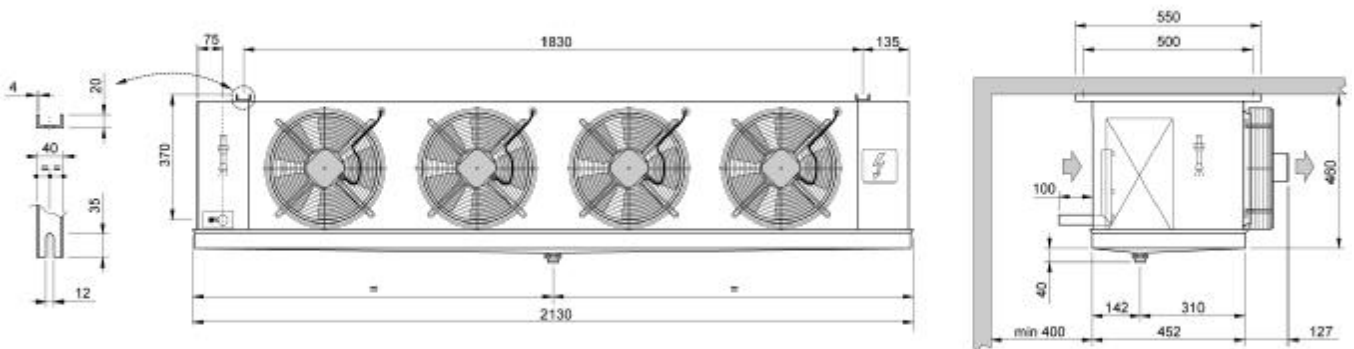
vineri.17.03.2017

Air inlet temperature	°C	-18,0	Evaporating temperature	°C	-25,0
TD	°C	7,0	Refrigerant		R404A
Min number of units in room		1			

Heat exchanger	Standard	Casing	Standard
Motorfans feed	Standard	Fan motors	Standard
Defrost	Electric		

Selected model: 1 x CTE 158L8 ED

Capacity	kW	7,244	Tot. air flow	m3/h	6530
TD	°C	7,0			



Weight	kg	67,400			
Internal surface	m2	6,11	External surface	m2	28,38
Input connection		5/8" SAE	Output connection		28 mm
Total circuit capacity	dm3	11,08	Fin spacing	mm	8.5
Drain connection		1" GAS			
Defrost	ED	Electric		Watt	5250
Fan	n.	4	Diameter	mm	315
Air flow	m3/h	6530	Air throw	m	20,0
Feed	V	230/1/50-60	Fan speed	rpm	1370
Fan	A	2,02	Total power	Watt	440
Tot. Pres.S.Lev. 10 m.	dB(A)	45			

N.B.: we shall not be liable for the performances and the quality of sold products, if fitted or connected to fan motor speed regulation or control systems that are different from the ones proposed or installed by us.