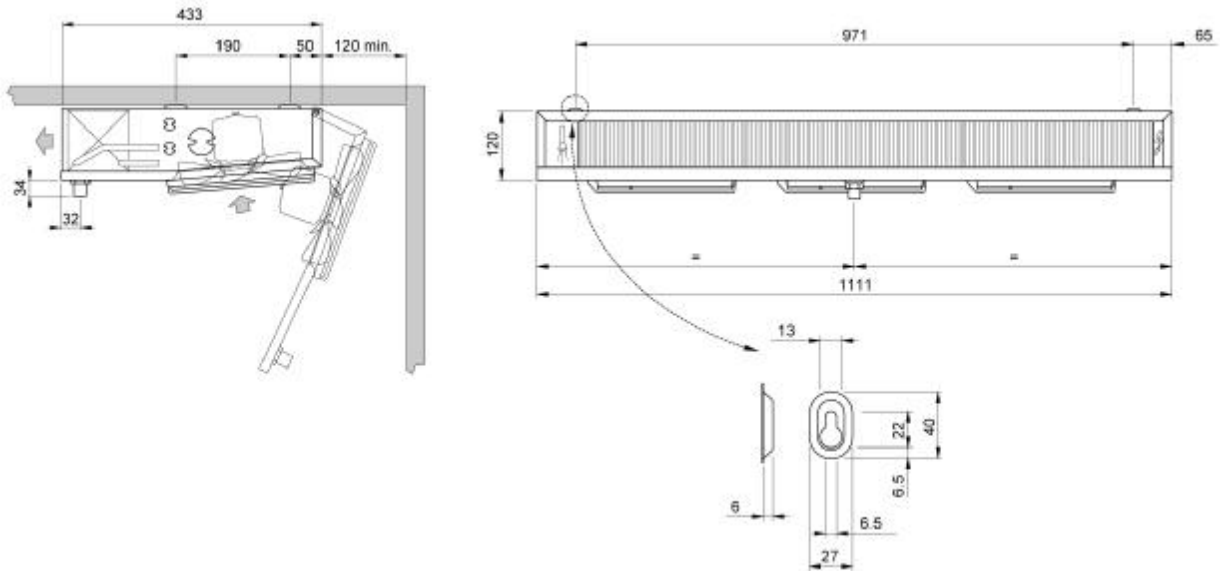


## EVS 180 ED

Air inlet temperature	°C	0	Evaporating temperature	°C	-10.0
TD	°C	10.0	Refrigerant		R404A
Min number of units in room		1			

Heat exchanger	Standard	Casing	Standard
Motorfans feed	Standard	Fan motors	Standard
Defrost	Electric		

Capacity	kW	1.604			
TD	°C	10.0	Tot. air flow	m3/h	870



Weight	kg	10.500			
Internal surface	m2	0.47	External surface	m2	5.30
Input connection		1/2" SAE	Output connection		16 mm
Total circuit capacity	dm3	1.07	Fin spacing	mm	3.5 / 7
Drain connection		1/2" GAS			

Defrost	ED	Electric	Total absorption	Watt	1080
Fan	n.	3	Diameter	mm	200
Air flow	m3/h	870	Air throw	m	4.5
Feed	V	Standard	Fan speed	rpm	1300
Total absorption	A	1.05	Total power	Watt	159
Tot. Pres.S.Lev. 10 m.	dB(A)	37			