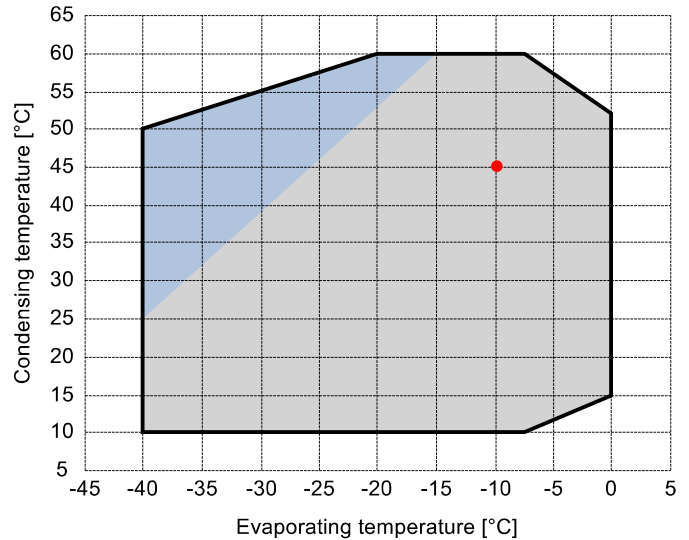


Input data

Refrigerant	R449A	
Reference temperature	Dew point temperature	
Calculation mode	Refrigeration / Air Cond.	
Operating mode	Subcritical	
Power supply	400/3/50	
Condensing temperature	°C	45
Condensing pressure	bar	18,86
Liquid subcooling	K	0
Liquid temperature	°C	40,72
Evaporating temperature	°C	-10
Evaporating pressure	bar	3,61
Suction gas superheating	K	10
Useful fraction of superheating	%	100

Additional cooling required



Output data

Compressor :	Q7-36.1Y	
Number of compressors :	FSx1	
Refrigerating capacity	kW	17,231
Refrigerating capacity [*ref]	kW	17,699
Evaporator capacity	kW	17,231
Power input	W	7559
Condenser capacity, theor.	kW	24,79
Current	A	14,25
COP/EER	W/W	2,28
Mass flow	kg/h	441
Operating frequency	Hz	50
Connection	-	DOL-STAR
Operating mode	-	100%
Discharge temperature	°C	86,14
Ratio (%)	%	100,0%
Note	-	
Oil flow	l/min	-
Heat Exchanged (oil Cooler)	kW	-
Oil Temp. at Oil Cooler Outlet	°C	-
Certified by	-	Frascold

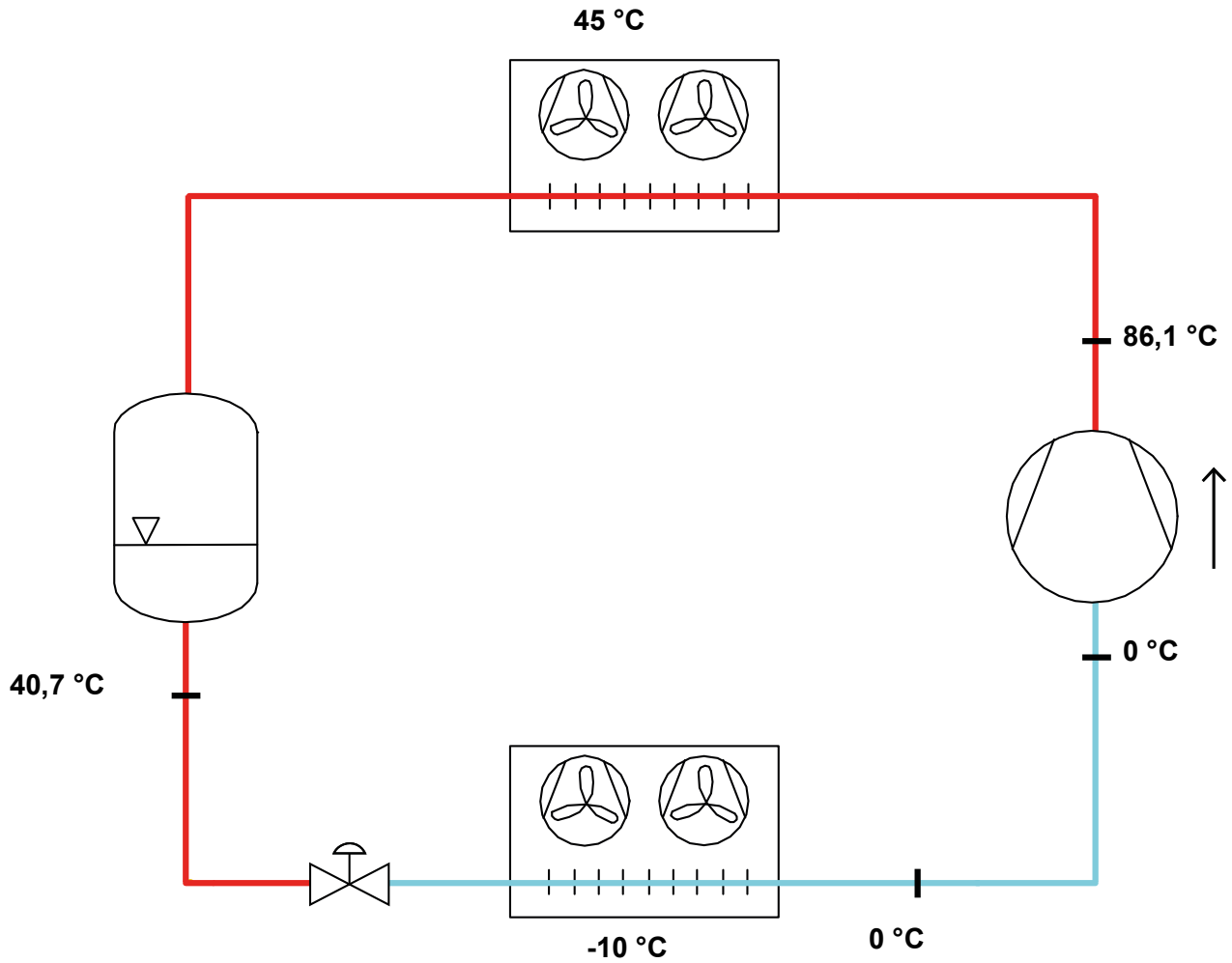
Certified by:

- Frascold tentative data

Legend:

- *ref: At conditions according to EN12900
- Suction gas temperature = 20 °C
- Liquid subcooling = 0 K

P&I Diagram:



All data subject to change without notice

Model: Q7-36.1Y

Refrigerant: R449A

Power supply: 400/3/50 DOL-STAR

Technical data:

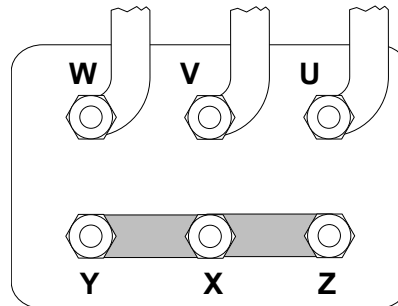
Displacement	35,86 m³/h
Nominal compressor speed	1450 rpm
Motor voltage	400 V
Nominal operating frequency	50 Hz
Maximum allowed operating current (MRA)	19,4 A
Locked rotor current (LRA)	87,3 A
Number of pistons	4
Net weight	79 kg
Lubricant	FRASCOLD POE32
Oil charge	1,6 l
Maximum static pressure LP	20,5 bar
Maximum operating pressure HP	30 bar

Sound level:

Sound power level -10/45°C R404A @50Hz	73,5 dB(A)
Sound pressure (*) - Distance: 1 m	65,5 dB(A)

*half sphere model

Motor connections:



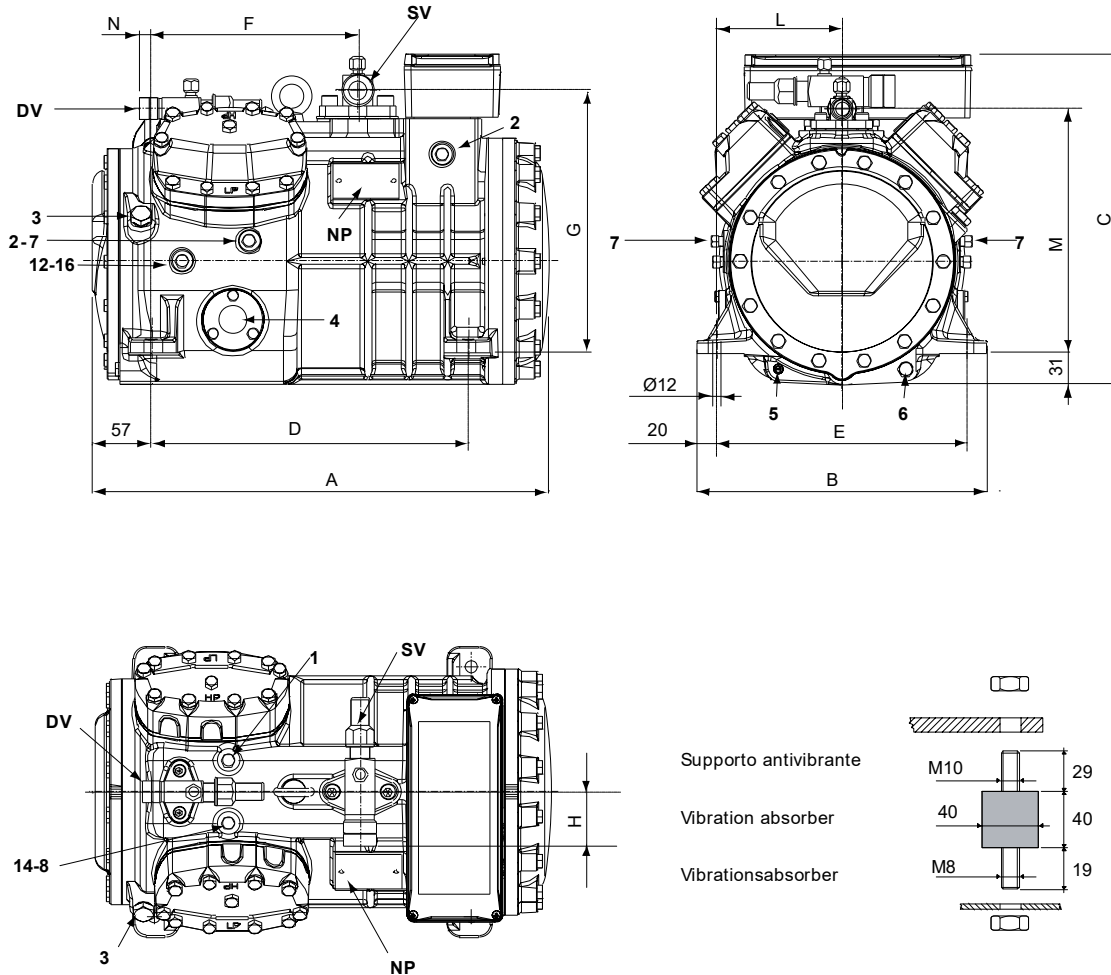
All data subject to change without notice

Model: Q7-36.1Y

Refrigerant: R449A

Power supply: 400/3/50 DOL-STAR

Dimensions:



Legend:

SV: Suction Valve	1 3/8" in - 35 mm	1: High pressure connection	1/8" NPT
DV: Discharge valve	1 1/8" in - 28,575 mm	2: Low pressure connection	1/8" NPT
A: Length	449 mm	3: Oil charge plug	1/4" GAS
B: Width	286 mm	4: Oil level sight glass	-
C: Height	328 mm	5: Crankcase heater seat	-
D: Base mounting	312 mm	6: Oil drain plug	M8 x 22
E: Base mounting	246 mm	7: Liquid injection plug	1/8" NPT
F: Suction Valve	203 mm	8: Liquid injection sensor plug	1/8" NPT
G: Suction Valve	261 mm	12: Oil return plug	1/8" NPT
H: Suction Valve	58 mm	14: Max discharge temperature sensor connection	1/8" NPT
L: Discharge valve	123 mm	16: Crankcase pressure plug	1/8" NPT
M: Discharge valve	239 mm	NP: Nameplate	
N: Discharge valve	28 mm		

All data subject to change without notice

Model: Q7-36.1Y

Refrigerant: R449A

Power supply: 400/3/50 DOL-STAR

Polynomial coefficients according to EN12900 for Q7-36.1Y:

*S = T_{evap} ; D = T_{cond}

Reference conditions

Refrigerant	R449A
Ambient temperature	35 °C
Suction gas temperature	20 °C
Liquid subcooling	0 K
Frequency	50 Hz

	Refrigerating capacity [W]	Power input [W]
C1	4,573090E+004	1,368730E+003
C2	1,691980E+003	-1,635920E+002
C3	-3,984970E+002	2,143410E+002
C4	2,197410E+001	-5,084310E+000
C5	-1,334170E+001	6,577280E+000
C6	-5,258040E-001	-1,034140E+000
C7	9,595390E-002	-4,367290E-002
C8	-1,420800E-001	4,300090E-002
C9	-1,149850E-002	-2,061410E-002
C10	2,048300E-003	-2,010030E-003

$$Y = C1 + C2*S + C3*D + C4*S^2 + C5*S*D + C6*D^2 + C7*S^3 + C8*D*S^2 + C9*S*D^2 + C10*D^3$$