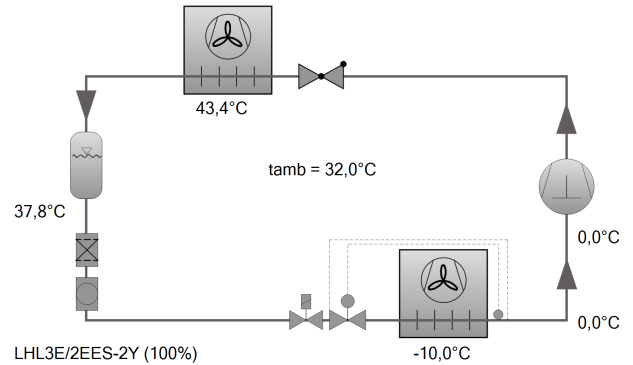




## Selection: Condensing Units

### Input Values

Unit type	LHL3E/2EES-2Y
Series	ECOLITE
Refrigerant	R449A
Reference temperature	Dew point temp.
Evaporating SST	-10,00 °C
Ambient temp.	32,0 °C
Suct. gas superheat	10,00 K
Useful superheat	100%
Operating mode	Auto
Power supply	400V-3-50Hz
Capacity control	100%



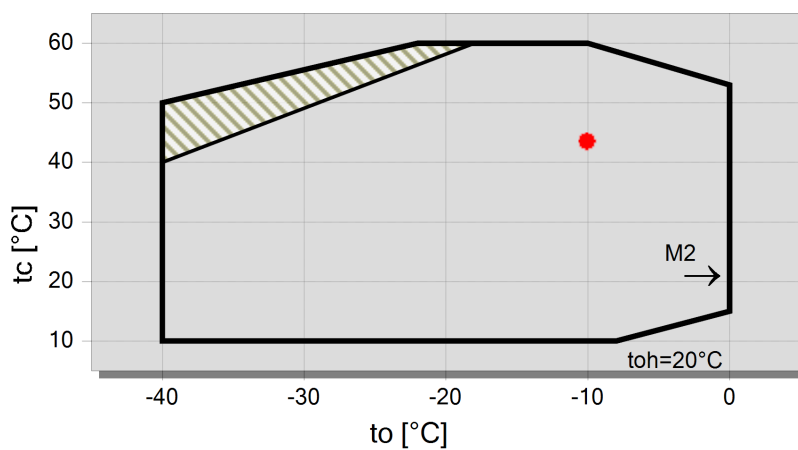
### Result

Unit type	<b>LHL3E/2EES-2Y-40S</b>
Capacity steps	100%
Cooling capacity	5,25 kW
Evaporator capacity	5,25 kW
Power input	2,38 kW
Current (400V)	4,18 A
Voltage range	380-420V
Mass flow	130,5 kg/h
Condensing SDT	43,4 °C
Liquid subcooling	1,00 K
Operating mode	Standard



Tentative Data.

Power input including fan power absorption

## Application Limits LHL3E/2EES-2



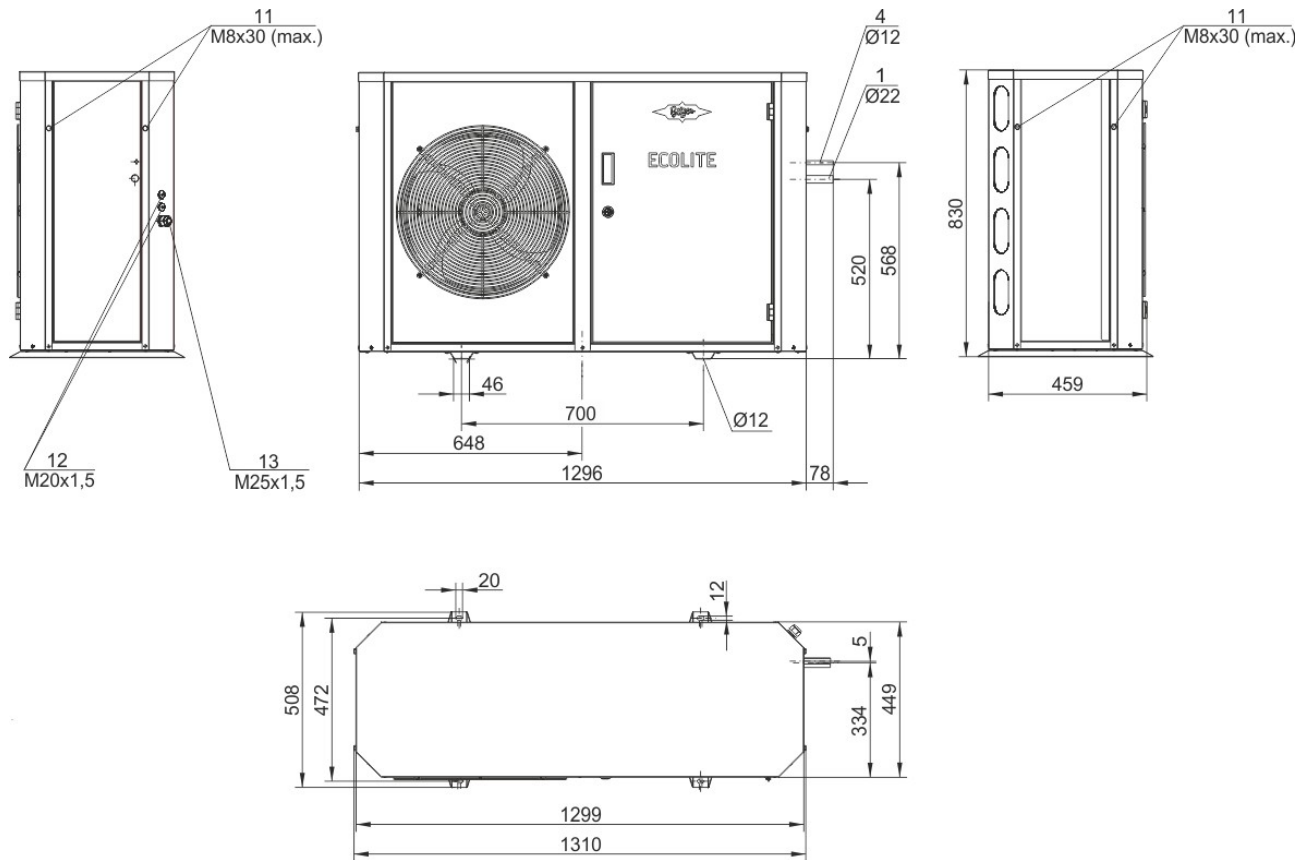
### Legend

-  suction gas superheat  $\leq 20K$
- M2: motor 2
-  A



## Technical Data: LHL3E/2EES-2Y

### Dimensions and Connections



### Technical Data

#### Technical Data

Weight	157 kg
Total width	1300 mm
Total depth	450 mm
Total height	830 mm
Connection suction line	22 mm - 7/8"
Connection liquid line	12 mm - 1/2"
Voltage (50Hz, more on request)	230V-1-50Hz (Standard)
Current / Power consumption of each fan (50Hz)	120 W
Air flow condenser 50Hz	3000 m <sup>3</sup> /h
Coil Volume	1,85 dm <sup>3</sup>

#### Extent of delivery (Standard)

ECOLITE controller with display	Standard
ECOLINE with VARISTEP (CRII)	100 .. 50 %
Liquid receiver with shut-off valve	Standard
Complete piping and wiring with main switch and compressor contactor	Standard
High & low pressure switch	Standard
High and low pressure transmitter	Standard
Sight glass and filter drier in liquid line	Standard
Oil heater	Standard
Discharge gas temperature sensor	Standard
suction gas temperature sensor	Standard
Ambient temperature sensor	Standard
Discharge gas line	Standard
Weather protective housing	Standard
Fans: elect. Speed regulator	Standard
Sound insulation for compressor housing	Standard
Additional cooling with EC fan	Standard
Fans: Number	1
Protective charge	Standard



#### Available Options

Condenser with improved corrosion protection, plastic coated fins or copper fins	Option
Oil separator with check valve	Option
Adjustable high and low pressure switch	Option
Oil level monitoring	OLC-K1
check valve for liquid line (additional pressure relief valve according to EN 378 required)	Option
Connection for pressure relief valve	Option
Cold store temperature sensor	Option
BEST interface converter	Option

#### Sound measurement

Sound pressure in 10m (to=-10°C, tamb=32°C)	35,8 dB(A) @ 50Hz, R513A
Data of compressors: see compressor program	

#### Max. refrigerant charge 90% at 20°C / 68°F

Receiver type (Standard)	FS76E
R22	8,5 kg
R134a	8,6 kg
R407C	8,1 kg
R404A/R507A	7,5 kg
R407A	8,2 kg
R407F	8 kg
R448A	7,8 kg
R449A	7,8 kg
R450A	8,4 kg
R454C	7,5 kg
R455A	7,4 kg
R513A	8,6 kg
R1234yf	7,8 kg
R1234ze	8,3 kg



## Condensing Units

**Motor 1** = e.g. LH..E/4TES-12 with 12 "HP", primary for air-conditioning (e.g. R22,R407C) and medium temperature application (e.g. R134a, R407F, R407A, R404A, R507A, R22) and air-conditioning with R134a at high ambient temperatures.

**Motor 2** = e.g. LH..E/4TES-9 with 8 "HP", for medium and low temperature application (e.g. R134a, R407F, R407A, R404A, R507A, R22) and air-conditioning with R134a.

For more information concerning the application range use the "limits" button.

### Operation modes for LH..E/4VES-7 to LH../6HE-28 with R22

CIC = liquid injection with low temperature application, suction gas cooled motor

### Specifications for sound emission

The data are based on 50 Hz operation.

Soundpressure: Data are valid for free field conditions with a block-shaped reference area in a distance of 10m.

For further information see technical information for sound data.

### Legend of connection positions according to "Dimensions":

- 1 Suction gas valve
- 2 Discharge gas line
- 3 Condensate line
- 4 Refrigerant outlet (liquid line)
- 5 Pressure relief valve connection
- 6 Liquid injection (operation without liquid subcooler and with thermostatic expansion valve)
- 7 Refrigerant inlet at liquid subcooler
- 8 Refrigerant outlet at liquid subcooler
- 9 Suction gas line
- 10 Sight glass
- 11 Load suspension points
- 12 Plug for screwed cable gland
- 13 Cable bushing (for cables  $\varnothing$  9-17 mm) (only ECOLITE)

Dimensions can show tolerances according to EN ISO 13920-B.