

Date 27/4/2023  
 For the attention of: frigotehnie.ro  
 Reference  
 Operator Kubitech S.R.L.



**COMMERCIAL UNIT COOLER:CUBIC**  
**Type: F31HC 335 AC E 7**  
**N. units: 1**

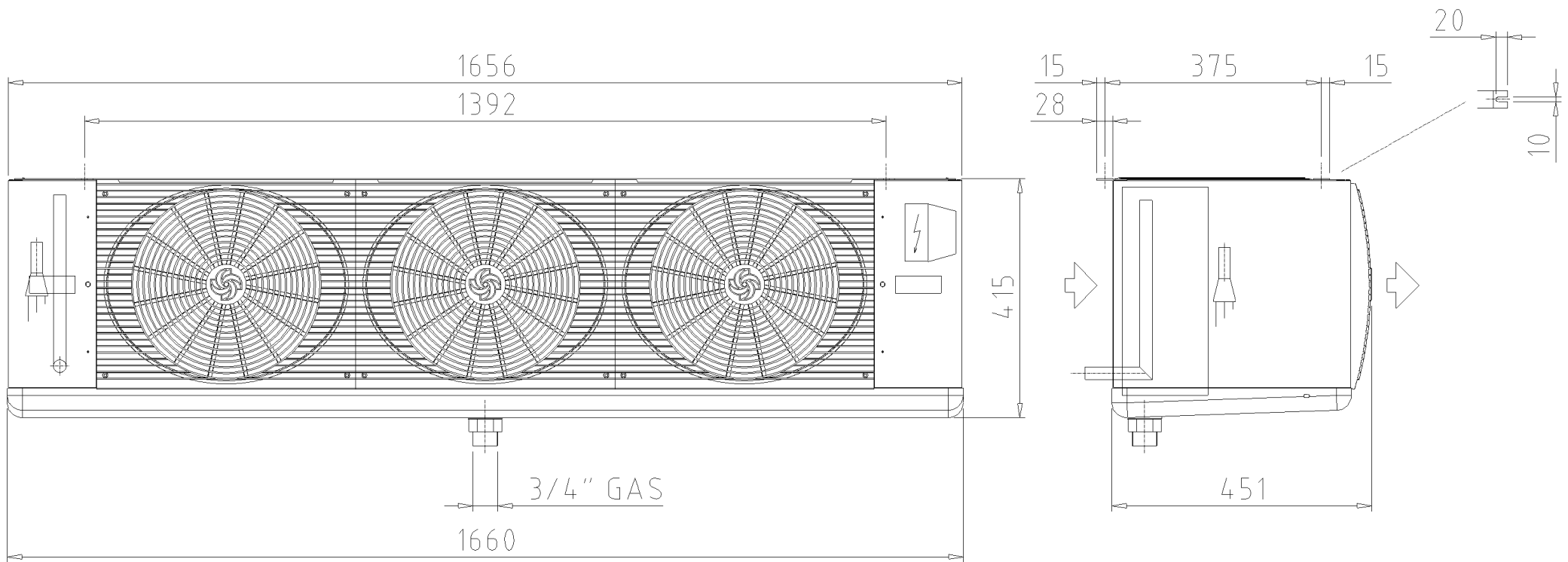
Refriger (u) 2023 Ver. 2.3.0.387 - PRICE LIST 1/1/2023

Inlet air temp. (room)	[°C]		-18,0
Room relative humidity	[%]		85
Refrigerant			R449A
Altitude	[m]		0
Residual static pressure	[Pa]		0
DT1 needed for unit cooler (Mean)	[K]		8,0
<b>Connection</b>	<b>230V-1PH-50Hz</b>		
<b>Actual capacity</b>	<b>[W]</b>		<b>5.200</b>
Air flow	[m3/h]		5.400,0
Air throw	[m]		26
Outlet air temperature	[°C]		-20,0
Evaporating temp (Mean)	[°C]		-26,0
DT superheating (Dew)	[K]		4,2
Temp. before expansion valve	[°C]		14,8
DT1 (Mean)	[K]		8,0
Fluid pressure drop	[K]		1,1
RC factor (Sensible capacity/Total capacity)	[%]		90,0
Energy efficiency class			D <b>(2014 thresholds)</b>
Fan motor consumpt.	[W]		306
Power draw	[A]		1,5
Max fan absorbed current*	[A]		1,56
Fan speed	[1/min]		1290
Sound pressure level (5 m) 5	[dB(A)@5m]		49
Sound Power Level	[dB(A)]		74
Electric defrost (230 V)	[W]		4.650
N° Fans	[mm]	3 x 315	Weight [kg] 53
Poles	[n]	4	Connections in [n] x [mm] 1 x 12
Fin spacing	[mm]	7	Connections out [n] x [mm] 1 x 22
Internal volume	[dm3]	4,1	Drain tray connection ["'] 3/4
Surface	[m2]	17,7	Overall dimensions [mm] 1.660 x 450 x 415
<b>Max Working pressure</b>	<b>[bar]</b>	<b>24,0</b>	
Casing material	Powder coated galvanized steel RAL 9003		Fin material Al
Header material	Cu		Tube material Cu

\* Refer to LU-VE S.p.A. instruction manuals for details, data and standards. Noise level in 5m free field. The current may increase according to temperature frost quantity, external static pressure. The weight and dimensions are not valid for all possible configurations. All fans are ErP 2015-compliant (Directive 2009/125/EC Energy-related products). LU-VE S.p.A. reserves the right to modify and correct at any time, with or without notice, the specifications and prices listed in the Refriger software.

The certified performances and conditions in this software are in line with performances and conditions published on EUROVENT website. Those performances can be verified in [www.eurovent-certification.com](http://www.eurovent-certification.com).

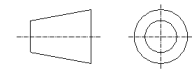
The EUROVENT certification refers to the unit in standard configuration, additional options may impact on declared reference performance.



Date 4-03-2008

Type: F31HC 335 AC E 7  
Code: F31HC335Ea

Scale 1:10



Standard unit without accessories. For the connections please refer to the data sheet.