



Compressor  
Voltage Code : TZ

# AG2516P-TZ

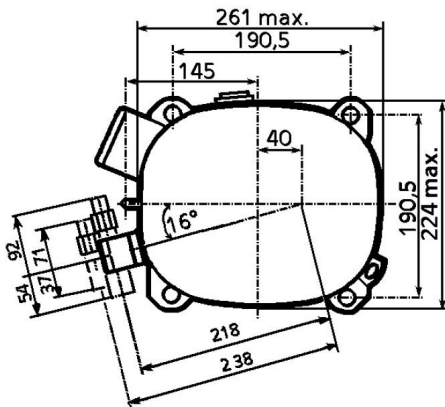
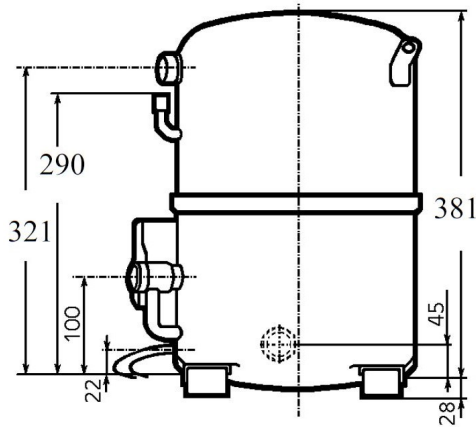
Low Temp. Commercial (BP)

400V 3~ 50Hz / 440V 3~ 60 Hz

R404A

AG2516P-TZ1A

Operating conditions :	<b>Customized... / 50 Hz / Dew</b>	<b>Sound Power</b> ISO3745 / ISO 3743-1
<b>Evaporating Temp. :</b> -25.0 °C <b>Superheat :</b> 7.00 K <b>Return gas temp. :</b> -18.0 °C <b>Condensing Temp. :</b> 45.0 °C <b>Subcooling :</b> 2.00 K <b>Liquid :</b> 42.7 °C	<b>Refrig. Capacity :</b> 2915 Watt  <b>Power Input :</b> 2548 Watt <b>Amps :</b> 4.54 A <b>C.O.P :</b> 1.14 Watt/W	77 dBA



<b>Displacement (cc)</b>	112,5
<b>Net Weight (Kg)</b>	46.0
<b>Oil Quantity (cc)</b>	1760.0
<b>Oil Type</b>	Polyolester
<b>Expansion Device</b>	Capillary_Tube/Expansion_Valve
<b>Cooling</b>	Fan
<b>Main Winding (Ohm)</b>	3.7
<b>Current</b>	
RLA (A)	4,9   4,4
MCC (A)	9,3   9,4
LRA (A)	45   47
<b>Electrical Equipment</b>	TRI
<b>Overload</b>	Interne
<b>Refrigerating connection for</b>	
Suction Tube	22,2 (7/8")
Discharge Tube	15,9 (5/8")
Process Tube	6,35 (1/4")

Certificates :

Note : Tecumseh reserves the right to change information contained in this document without notification.



**Tecumseh**

<b>AG2516P-TZ</b>	<b>Tension TZ : 400V 3~ 50Hz / 440V 3~ 60 Hz</b>
-------------------	--

Les performances sont données dans les <b>conditions EN12900</b> :	Gaz aspirés :	20.0 °C
Condition Dew	Sous refroidissement :	0.0 K
The performance data are in <b>EN12900 conditions</b> :	Return gas :	20.0 °C
Dew Condition	Subcooling :	0.0 K

© 2024 Tecumseh Products Company  
All rights reserved

### 50 Hz R404A

**N°3567**

4   T condensation	5   T évaporation	(°C)	-40	-35	-30	-25	-20	-15	-10
<b>30</b>	1   P frigorifique	(Watt)	1786	2696	3825	5197	6836	8767	11014
	2   P absorbée	(W)	1427	1783	2150	2530	2925	3336	3765
	3   I absorbée	(A)	3.25	3.59	4.01	4.50	5.02	5.55	6.08
<b>40</b>	1   P frigorifique	(Watt)	1196	1975	2931	4090	5475	7111	9023
	2   P absorbée	(W)	1326	1723	2132	2557	2999	3460	3941
	3   I absorbée	(A)	3.15	3.53	4.00	4.54	5.13	5.74	6.34
<b>50</b>	1   P frigorifique	(Watt)		1289	2066	3005	4131	5466	7036
	2   P absorbée	(W)		1598	2051	2522	3012	3523	4057
	3   I absorbée	(A)		3.41	3.92	4.52	5.17	5.85	6.53
<b>60</b>	1   P frigorifique	(Watt)			1266	1980	2839	3867	5089
	2   P absorbée	(W)			1899	2417	2957	3520	4107
	3   I absorbée	(A)			3.70	4.35	5.06	5.81	6.57

### 60 Hz R404A

**N°3567**

4   T condensation	5   T évaporation	(°C)	-40	-35	-30	-25	-20	-15	-10
<b>30</b>	1   P frigorifique	(Watt)	2226	3321	4622	6144	7900	9906	12174
	2   P absorbée	(W)	1781	2227	2678	3142	3626	4137	4683
	3   I absorbée	(A)	3.15	3.62	4.12	4.65	5.22	5.83	6.51
<b>40</b>	1   P frigorifique	(Watt)	1430	2414	3573	4923	6477	8248	10252
	2   P absorbée	(W)	1530	2071	2610	3155	3713	4292	4899
	3   I absorbée	(A)	2.89	3.46	4.05	4.66	5.32	6.02	6.78
<b>50</b>	1   P frigorifique	(Watt)		1528	2528	3687	5019	6539	8260
	2   P absorbée	(W)		1749	2397	3043	3696	4363	5051
	3   I absorbée	(A)		3.11	3.81	4.54	5.30	6.11	6.97
<b>60</b>	1   P frigorifique	(Watt)			1505	2455	3549	4798	6218
	2   P absorbée	(W)			1992	2760	3528	4303	5093
	3   I absorbée	(A)			3.36	4.22	5.11	6.04	7.02

1 = cooling capacity 2 = power input 3 = current 4 = condensing temperature 5 = evaporating temperature

**Nota : Tecumseh se réserve le droit de modifier les informations contenues dans ce document sans préavis.**

**Note : Tecumseh reserves the right to change information contained in this document without notification.**