



Compressor  
Voltage Code : XG

# FH2480Z-XG

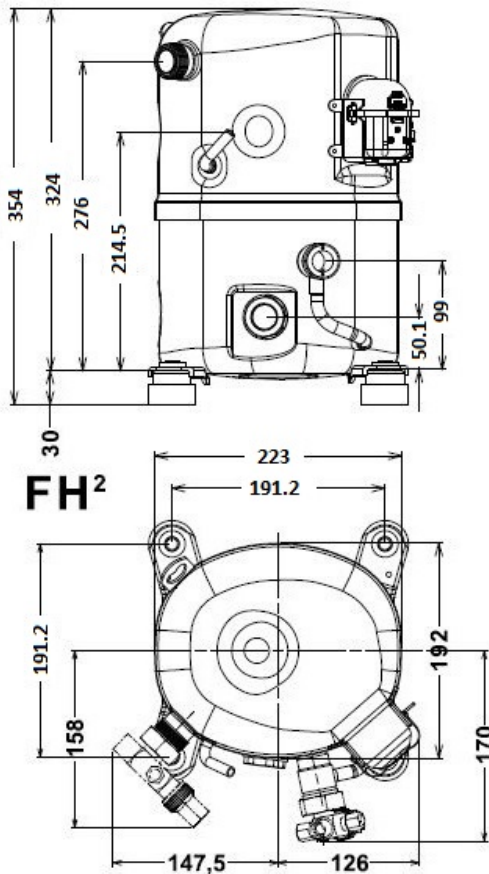
Low Temp. Commercial (BP)

380-420V 3~ 50Hz / 460V 3~ 60 Hz

R404A

FH2480Z-XG1A

Operating conditions :	<b>Customized... / 50 Hz / Dew</b>	<b>Sound Power</b> ISO3745 / ISO 3743-1
<b>Evaporating Temp. :</b> -25.0 °C <b>Superheat :</b> 7.00 K <b>Return gas temp. :</b> -18.0 °C <b>Condensing Temp. :</b> 45.0 °C <b>Subcooling :</b> 2.00 K <b>Liquid :</b> 42.7 °C	<b>Refrig. Capacity :</b> 1703 Watt  <b>Power Input :</b> 1483 Watt <b>Amps :</b> 2.71 A <b>C.O.P :</b> 1.15 Watt/W	72 dBA



<b>Displacement (cc)</b>	54,3
<b>Net Weight (Kg)</b>	30.0
<b>Oil Quantity (cc)</b>	1140.0
<b>Oil Type</b>	Polyolester
<b>Expansion Device</b>	Capillary_Tube/Expansion_Valve
<b>Cooling</b>	Fan
<b>Main Winding (Ohm)</b>	5.32
<b>Current</b>	
RLA (A)	3.1   3.1
MCC (A)	6.4
LRA (A)	31
<b>Electrical Equipment</b>	TRI
<b>Overload</b>	Interne
<b>Refrigerating connection for</b>	
Suction Tube	15.9 (5/8")
Discharge Tube	12.7 (1/2")
Process Tube	6.35 (1/4")

Certificates :

Note : Tecumseh reserves the right to change information contained in this document without notification.



**Tecumseh**

<b>FH2480Z-XG</b>	<b>Tension XG : 380-420V 3~ 50Hz / 460V 3~ 60 Hz</b>
-------------------	--

Les performances sont données dans les **conditions EN12900** :  
 Condition Dew  
 The performance data are in **EN12900 conditions** :  
 Dew Condition

Gaz aspirés : 20.0 °C  
 Sous refroidissement : 0.0 K  
 Return gas : 20.0 °C  
 Subcooling : 0.0 K

© 2024 Tecumseh Products Company  
All rights reserved

**50 Hz R404A**

**N°User-213**

4   T condensation	5   T évaporation	(°C)	-40	-35	-30	-25	-20	-15	-10
<b>30</b>	1   P frigorifique	(Watt)	1092	1579	2179	2905	3769	4784	5964
	2   P absorbée	(W)	851	1041	1228	1408	1579	1737	1877
	3   I absorbée	(A)	2.25	2.35	2.47	2.59	2.74	2.89	3.06
<b>40</b>	1   P frigorifique	(Watt)	759	1190	1716	2351	3107	3998	5035
	2   P absorbée	(W)	798	1020	1245	1470	1690	1902	2103
	3   I absorbée	(A)	2.20	2.35	2.51	2.69	2.87	3.07	3.28
<b>50</b>	1   P frigorifique	(Watt)		807	1252	1789	2430	3187	4075
	2   P absorbée	(W)		952	1216	1485	1755	2022	2283
	3   I absorbée	(A)		2.29	2.50	2.72	2.95	3.19	3.45
<b>60</b>	1   P frigorifique	(Watt)			803	1235	1753	2370	3101
	2   P absorbée	(W)			1135	1449	1769	2092	2414
	3   I absorbée	(A)			2.42	2.68	2.96	3.26	3.56

**60 Hz R404A**

**N°User-213**

4   T condensation	5   T évaporation	(°C)	-40	-35	-30	-25	-20	-15	-10
<b>30</b>	1   P frigorifique	(Watt)	1168	1688	2330	3105	4029	5114	6375
	2   P absorbée	(W)	947	1158	1366	1567	1758	1933	2089
	3   I absorbée	(A)	2.20	2.30	2.41	2.54	2.68	2.83	2.99
<b>40</b>	1   P frigorifique	(Watt)	811	1272	1835	2513	3322	4273	5382
	2   P absorbée	(W)	888	1135	1386	1636	1881	2117	2340
	3   I absorbée	(A)	2.16	2.30	2.46	2.63	2.81	3.01	3.21
<b>50</b>	1   P frigorifique	(Watt)		862	1339	1912	2597	3407	4356
	2   P absorbée	(W)		1059	1353	1652	1952	2250	2540
	3   I absorbée	(A)		2.24	2.44	2.66	2.89	3.13	3.38
<b>60</b>	1   P frigorifique	(Watt)			859	1320	1874	2534	3314
	2   P absorbée	(W)			1263	1612	1968	2327	2686
	3   I absorbée	(A)			2.37	2.63	2.90	3.19	3.48

1 = cooling capacity 2 = power input 3 = current 4 = condensing temperature 5 = evaporating temperature

**Nota : Tecumseh se réserve le droit de modifier les informations contenues dans ce document sans préavis.**

**Note : Tecumseh reserves the right to change information contained in this document without notification.**