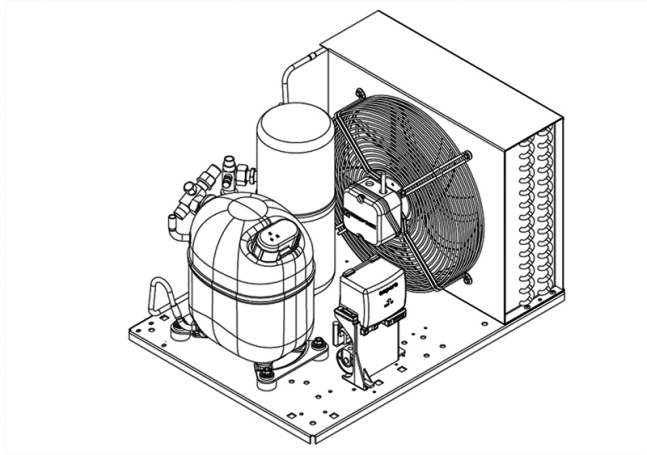


UNJ9238GK



CE


ENGINEERING CODE
643RV5604AA

REFRIGERANT
R-404A

POWER SUPPLY
230 V 50 Hz

APPLICATION
HBP

MOTOR TYPE
CSR

STANDARD
EN13215_RG20

COOLING CAPACITY
2609 W

EFFICIENCY
1.6 W/W

DATA

GENERAL DATA

Model	UNJ9238GK
-------	-----------

ACCESSORIES

Discharge valve	SOLDER 1/2"	2110050
Suction valve	SOLDER 5/8"	2110054

CONDENSING COMPONENTS

Compressor	NJ9238GK	M/HBP
Condenser	4R14T	2451199
Refrigerant	R-404A	
Expansion Device	C-V	
Fankit	S4E300-XX	1996589

MECHANICAL DATA

Air Flow	1300 m ³ /h
Height	372 mm
Receiver	3.9 L
Shaft Power	95
Weight	46 Kg
Width	440 mm
Length	600 mm

PERFORMANCE

TESTED CONDITIONS

Tested Refrigerant	R-404A
Tested Application	HBP
Tested Standard	EN13215_RG20

RATED POINTS

Ambient Temperature °C	Evaporating Temperature °C	Cooling Capacity W	Efficiency W/W	Consumo de Potencia W
32	-10	2609	1.6	1629

Test Condition: Subcooling 3 K, Return Gas 20 °C.

PERFORMANCE CURVE

Ambient Temperature 25°C

Evaporating Temperature °C	Cooling Capacity W	Efficiency W/W	Consumo de Potencia W
-20	1943	1.52	1277
-15	2420	1.71	1416
-5	3334	1.90	1754
0	3769	1.93	1954
5	4185	1.92	2177
10	4581	1.89	2422

Test Condition: Subcooling 3 K, Return Gas 20 °C.

PERFORMANCE CURVE

Ambient Temperature 32°C

Evaporating Temperature °C	Cooling Capacity W	Efficiency W/W	Consumo de Potencia W
-20	1779	1.36	1311
-15	2196	1.50	1461
-5	3015	1.66	1815
0	3413	1.69	2020
5	3801	1.69	2246
10	4178	1.68	2492

Test Condition: Subcooling 3 K, Return Gas 20 °C.

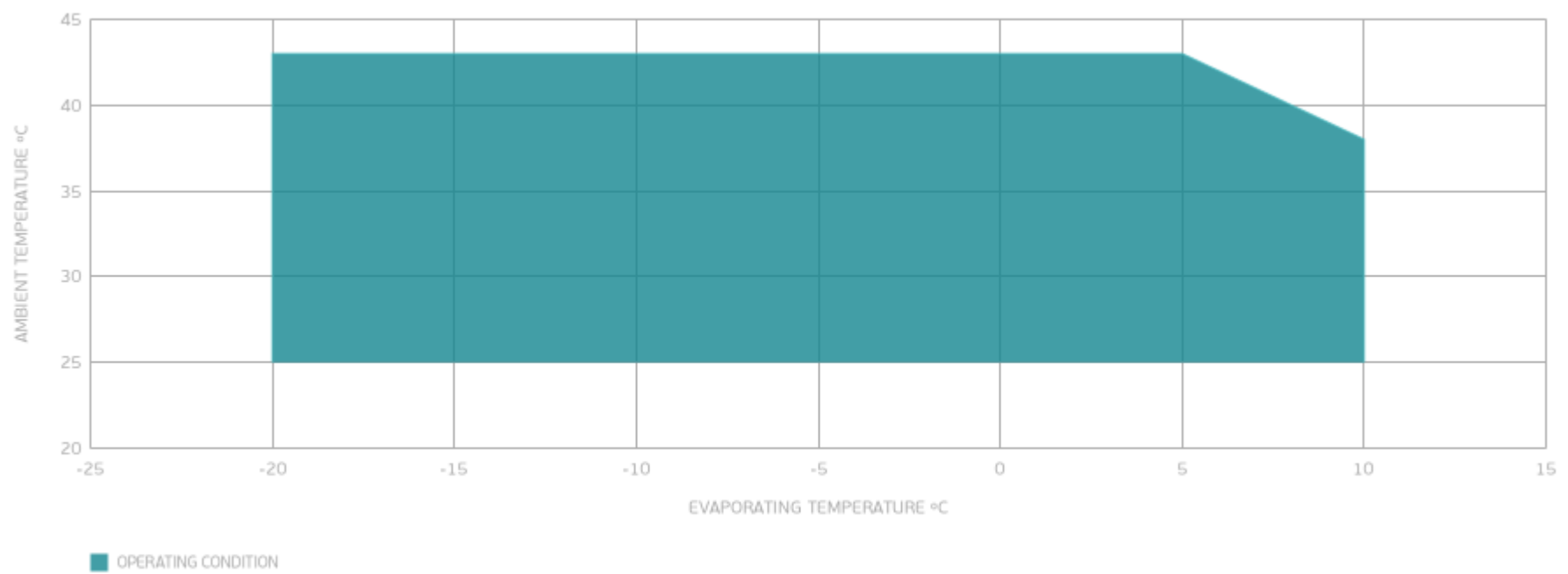
PERFORMANCE CURVE

Ambient Temperature 43°C

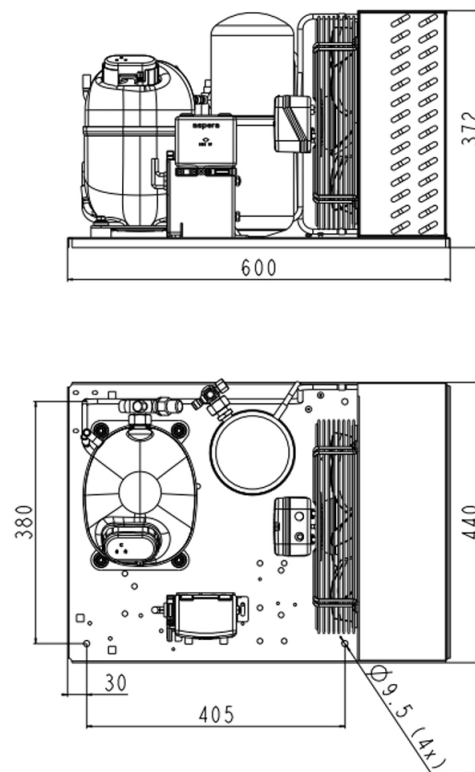
Evaporating Temperature °C	Cooling Capacity W	Efficiency W/W	Consumo de Potencia W
-20	1462	1.09	1343
-15	1857	1.24	1501
-5	2668	1.43	1861
0	3081	1.49	2065
5	3497	1.53	2285

Test Condition: Subcooling 3 K, Return Gas 20 °C.

ENVELOPE



EXTERNAL DIMENSIONS



WIRING DIAGRAM

